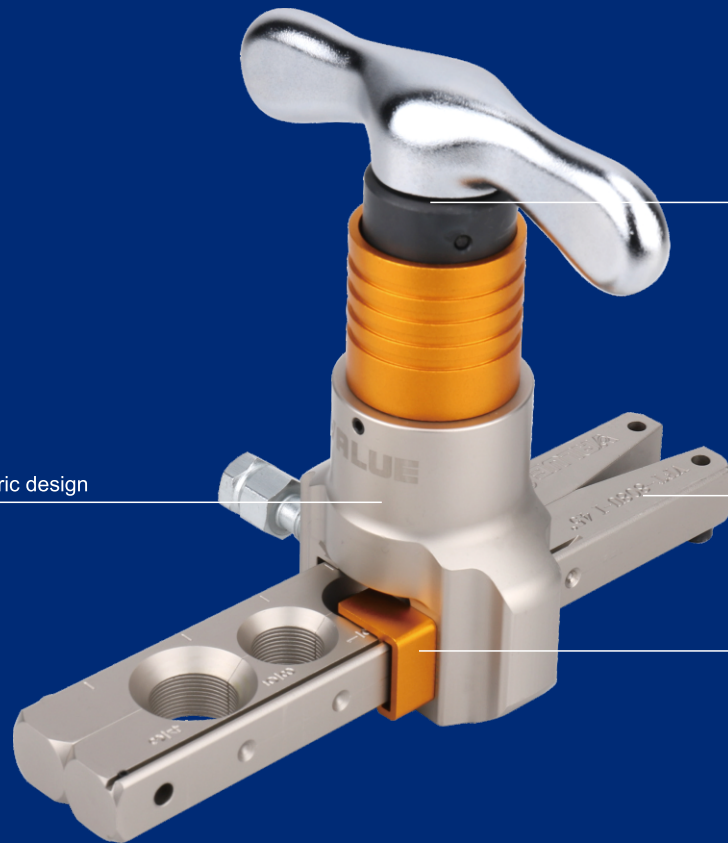


Hand or Drill-Powered Flaring Tool

NEW



**DRILL
POWERED**



45°Eccentric design



Patented annular Rivet connection



Axial spacing



1

2

3

4

Accurate Flaring

Hand or Drill-Powered

- Easy to use

Axial Spacing

- Accurate and consistent flaring

Annular Rivet Connection

- Precise of flared

Lightweight

- Lightweight Aluminum Body

45°Eccentric design

- Point contact flare, dimension standard, easy to use

Model	Tubing O.D.	Accessory	Packaging
VFT-808E-I	1/4", 5/16", 3/8", 1/2", 5/8", 3/4"	/	Blow case
VFT-808E-MI	6, 8, 10, 12, 16, 19 mm 1/4", 5/16", 3/8", 1/2", 5/8", 3/4"	/	Blow case
VFT-808E-IS	1/4", 5/16", 3/8", 1/2", 5/8", 3/4"	VTC-32, VTT-5	Blow case
VFT-808E-MIS	6, 8, 10, 12, 16, 19 mm 1/4", 5/16", 3/8", 1/2", 5/8", 3/4"	VTC-32, VTT-5	Blow case